



GLT8 20W LED Grow Light Bar

Table of Contents

Specifications.....	2
Spectra.....	3
PPFD Chart.....	4-6
Installation.....	7
Packaging.....	8

Features

GLT8 is the ideal LED grow light for replacement of traditional fluorescent grow light tube in horticulture applications, such as tissue culture.

- Customizable spectrum for various growing applications.
- High PPF and Efficacy: 54 μ mol/s, 2.7 μ mol/J
- Daisy chain function

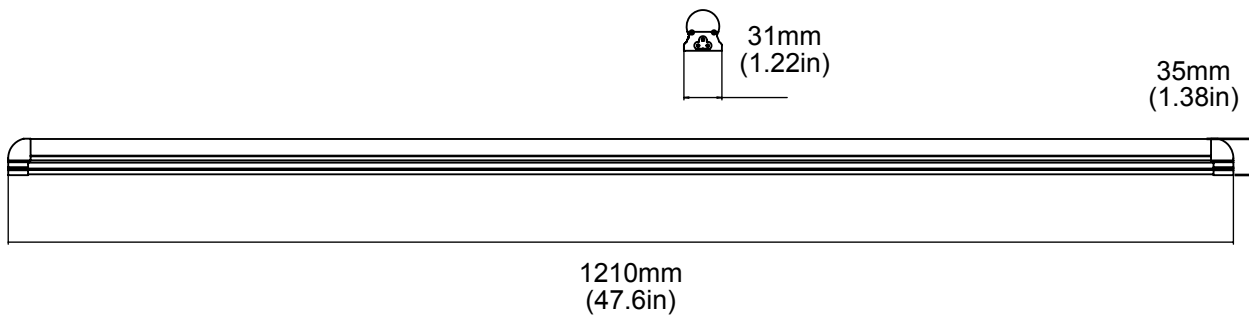
Applications

- Tissue Culture, Seedling

Specifications

GLT8I20	
Power Consumption (max)	20W±5%
Dimensions	47.6in L x 1.22in W x 1.38in D 1210mm L x 31mm W x 35mm D
Weight	300 g 0.66 lbs
Typical PPF	54 μmol/s (spectrum dependent)
Efficacy	2.7 μmol/J (spectrum dependent)
Input Voltage\Frequency	AC100~265V/47~63Hz
Spectrum	FST
Power Factor	220V≥0.95 110V≥0.98
Cooling	Passive
Structure Material	Aluminum
Working Temperature	-20°C ~ 40°C -4°F ~ 104°F
Light Distribution	120°
Daisy Chain(Max)	20pcs
Lifetime	L90 ≥50,000 hrs
IP Rating	IP43
Warranty	1 year standard

Dimensions



20W

1210mm L x 31mm W x 35mm D
47.6in L x 1.22in W x 1.38in D

Daisy Chain

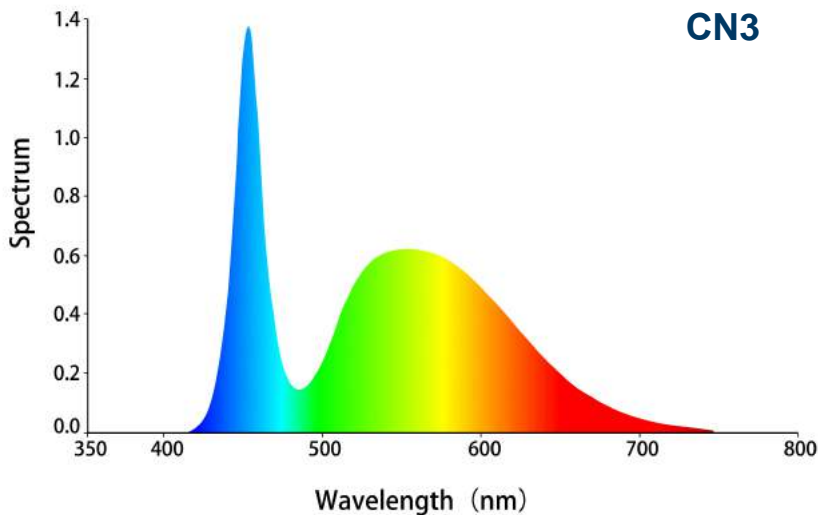
Daisy Chain Function



Up to 20pcs GLT8 fixtures can be powered in a daisy chain connection way.

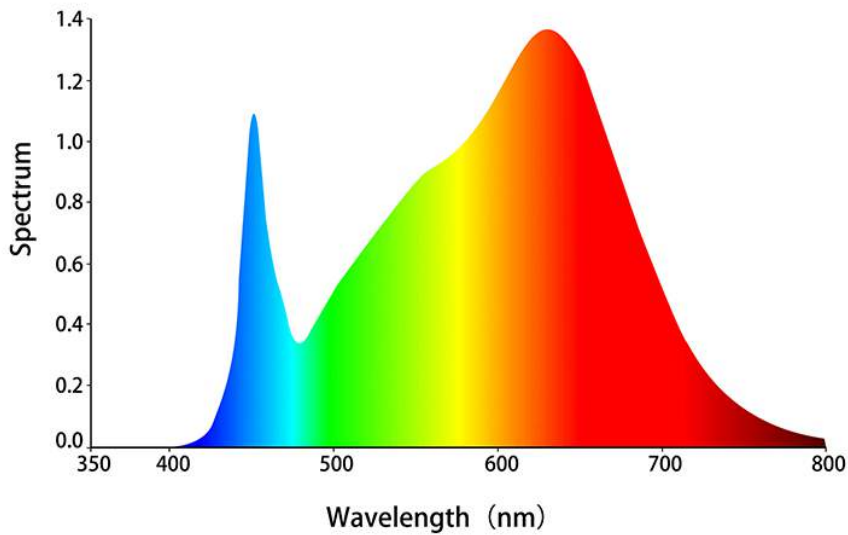
Spectrum

CN3



Tailor-made Spectrum For Tissue Culture

The CN3 spectrum is tailor-made with cool white LEDs with a continuous spectral emission across PAR 400 - 700nm wavelength range. This heavy blue spectrum is essential for stimulating healthy root growth and improving root extension, while the overall balancing spectral output also ensures the healthy growth of leaves and stems.



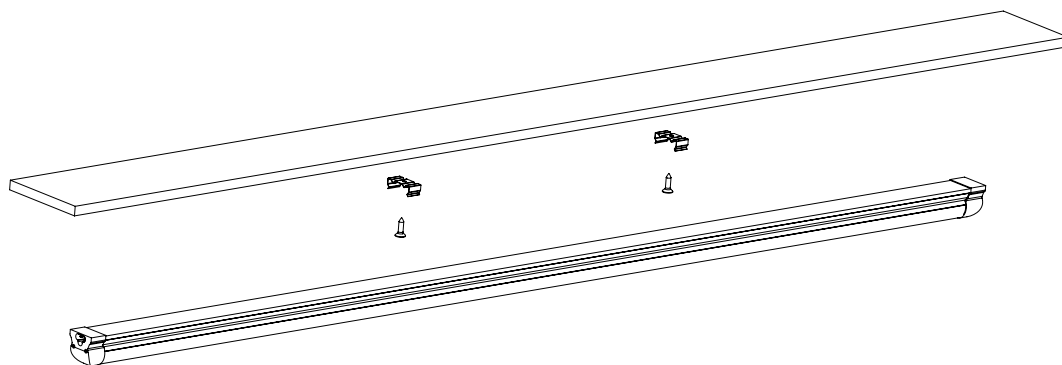
VC3

Tailor-made Spectrum For Leafy Greens

With a broad full spectrum of warm white, this VC3 spectrum focuses on vegetative growth phases and propagation. The recipe delivers shorter, compact plants with a good biomass ratio – the high energy in the blue 450nm bandwidth also promotes stomata opening. All together a good balance between both photon levels guarantees a good mix between vegetative growth and biomass production.

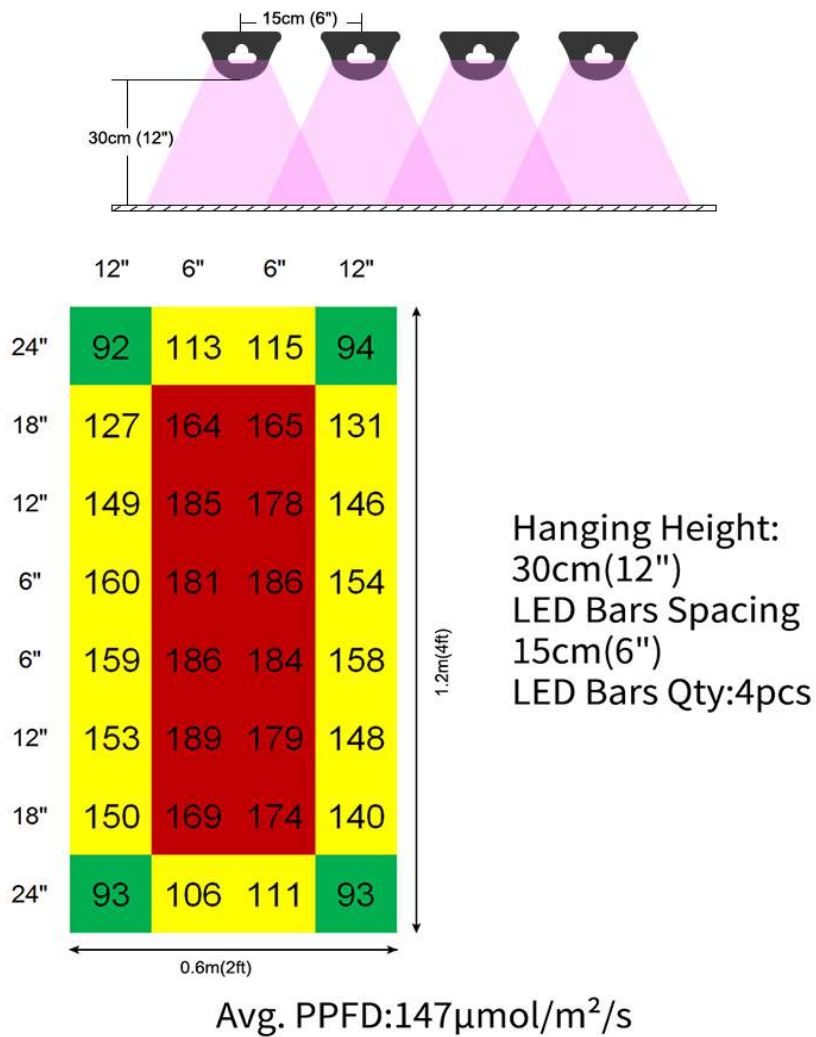
Custom spectrum is also available according to specific plant species.

Installation

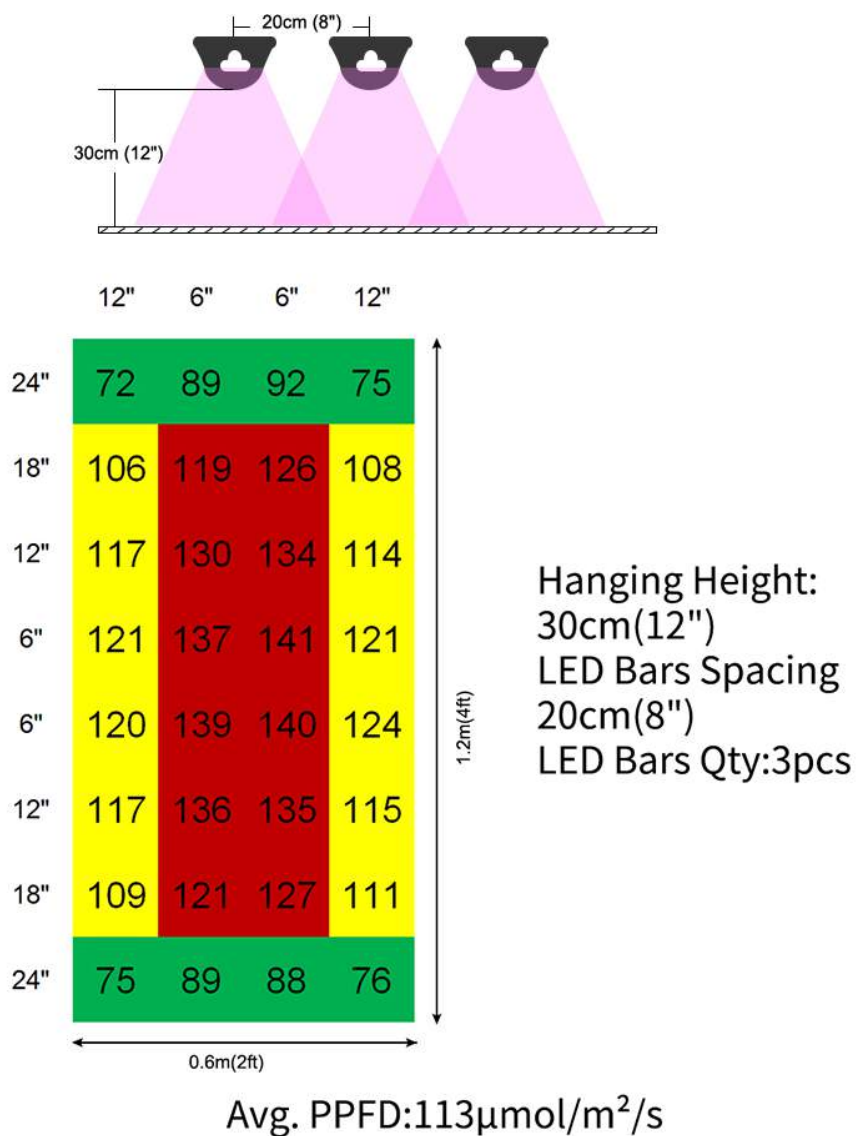


Mounting

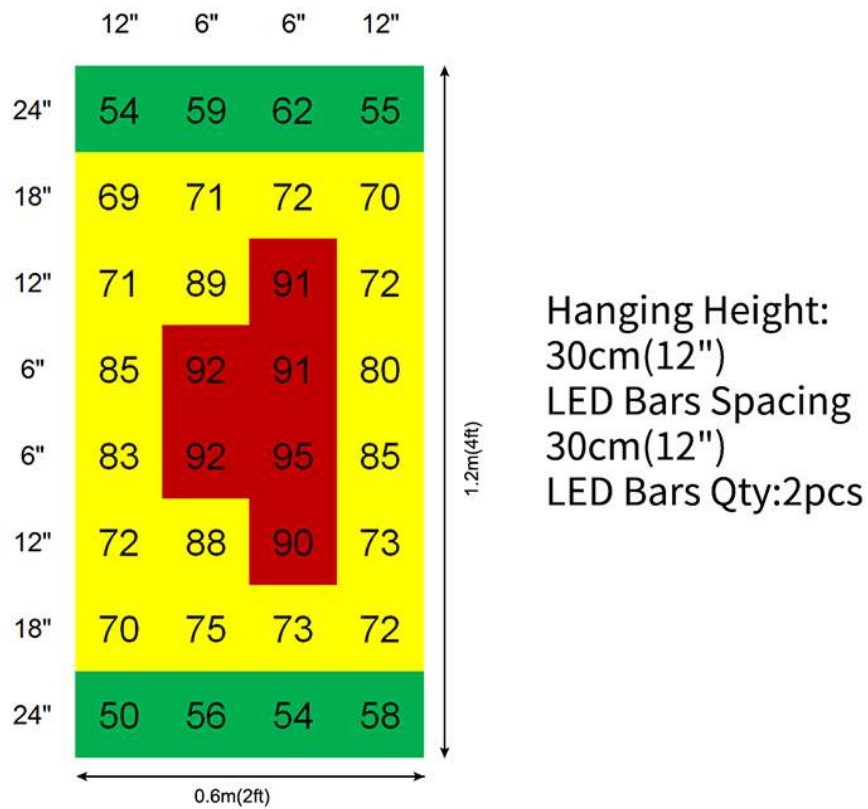
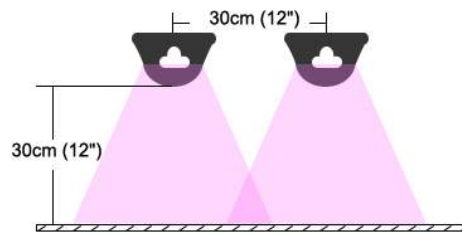
PPFD Chart



PPFD Chart



PPFD Chart



Hanging Height:
30cm(12")
LED Bars Spacing
30cm(12")
LED Bars Qty:2pcs

Avg. PPFD:74 μ mol/m²/s

Packing List



GLT8 x 25



Mounting bracket x 50



3 pin chain power cable x 25



3 pin main power cord x 2



Screw x 50

Net Weight:

8 kg | 17.6 lbs

Packaging:

25 pcs/carton

Gross Weight:

10 kg | 22 lbs

Size:

127cm L x 26cm W x 27cm H
50" L x 10.24" W x 10.63" H

Packaging Material:

Plastic + Foam + Carton

